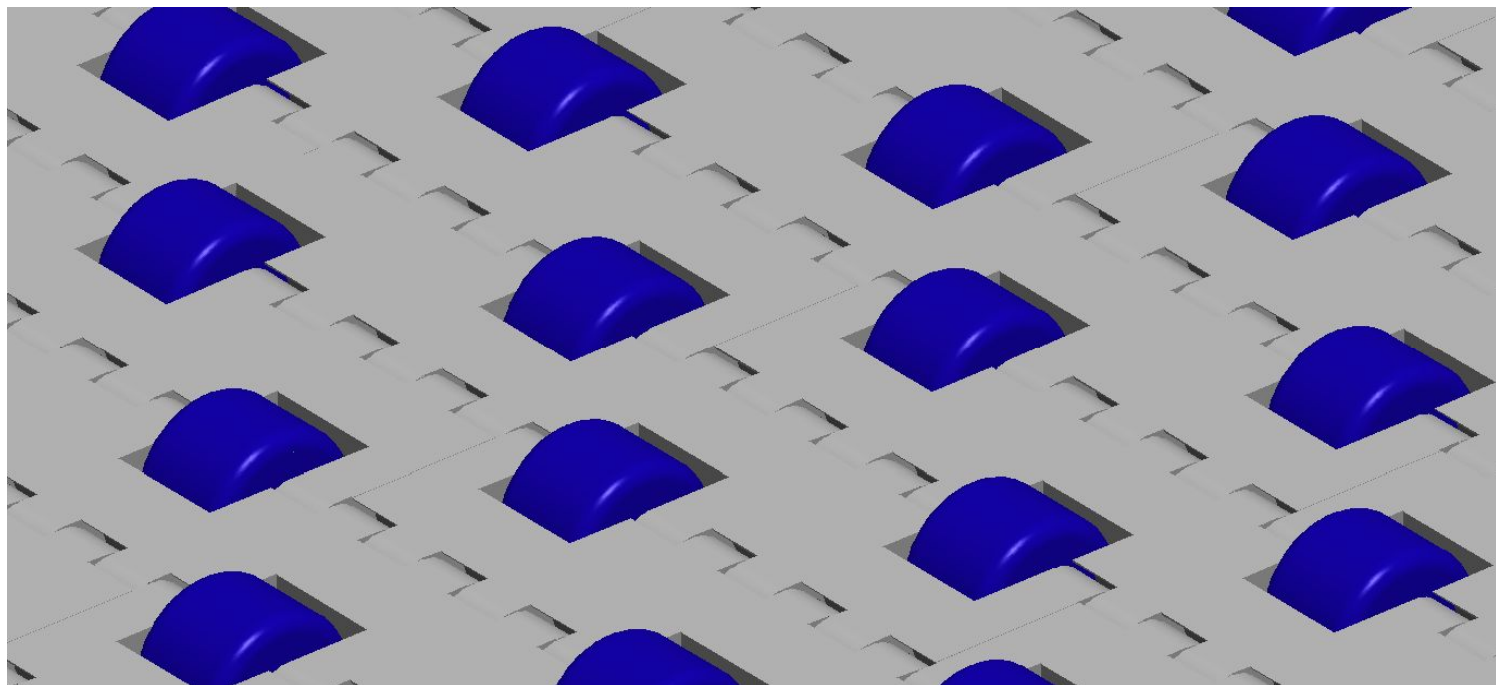


HS-200C Technical Data Sheet



Pitch: 25.4mm Minimum Width: 150mm Open Area: 0% Approved: FDA Rod: Ø 5mm Flight: Non Side Guard: Non Curve: No	
--	--

Data

Belt Material	Belt Strength			Temperature		Belt Weight (Kg/M ²)
	Straight		Curve	°C (min.)	°C (max.)	
	Kg/M(BW)	N/M(BW)				
Polypropylene	1155	11550	--	1	100	6.3
Polyethylene	1105	11050	--	-60	60	6.8
Acetal	1520	15200	--	-40	80	7.3
Nylon	1310	13100	--	1	180	7.0

BW – Belt Width

Color Table

Polypropylene					Polyethylene					Acetal					Nylon				
W	G	N	DB	B	W	G	N	DB	B	W	G	N	DB	B	W	G	N	DB	B
●	●						●			●				●				●	

W-White, G-Gray, N-Nature, DB-Dark brown, B-Blue

Friction Table

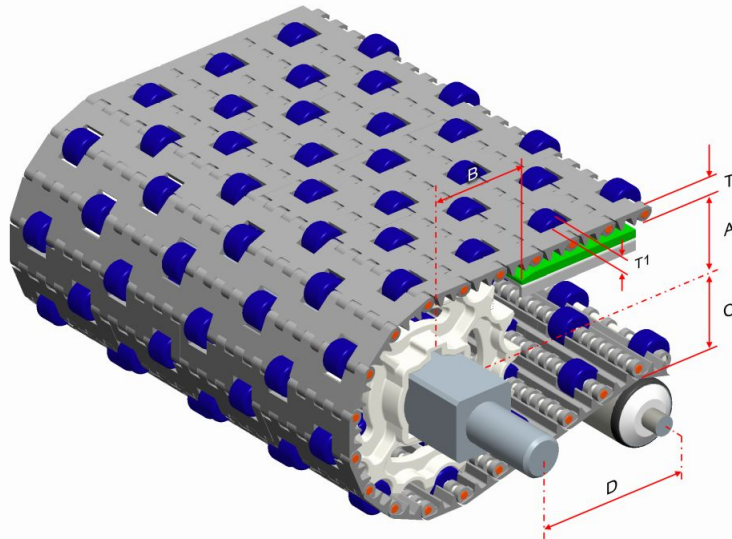
Belt Material	Friction Wear strips & Products							
	UHMW	HDPE	Steel	Glass	SUS	Plastic	Cardboard	Aluminum
Polypropylene	0.32	0.24	0.15	0.09	0.13	0.08	0.15	0.25
Polyethylene	0.13	0.11	0.26	0.19	0.31	0.16	0.21	0.41
Acetal	0.11	0.09	0.27	0.16	0.26	0.15	0.19	0.28
Nylon	0.18	0.13	0.25	0.16	0.26	0.16	0.19	0.27

SUS – Stainless Steel

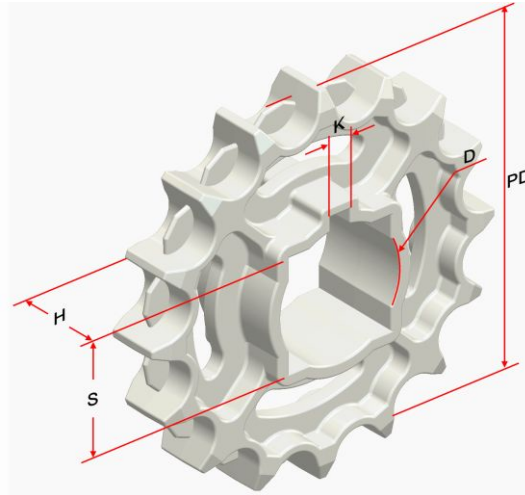
Equivalent type with other Brand

Brand Name	Intralox	UNI	Rexnord	MCC	Habasit	KVP
Series & Type	1600	SNB	1000		M2400	610
	1650	CNB	1010		M2500	208CL
	200	OPB	7700		M2600	20835
	880/850	L-SNB	6390			

The above content is only for reference.



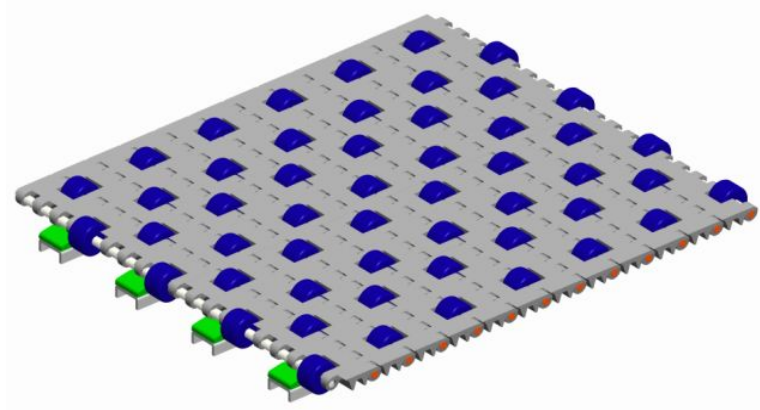
Conveyor Frame Dimensions						Unit : mm
No. Teeth	A (Min.)	B (Min.)	C (Max.)	D (Min.)	T	T1
8	27	33	35	250	10	3
12	43	40	52	250		
16	59	42	65	250		
20	75	50	81	250		



Sprocket Dimensions						Unit: mm
No. Teeth	PD	S	D	H	K	
8	64	--	30.5	22	6X6	
10	83	38.5/40.5	25.5/30.5/45.5	22	7X7	
12	98	35.5/38.5/40.5	25.5/30/45.5	38	7X7	
16	130	35.5/38.5/40.5	25.5/30/47.5	34	7X7	
20	162	40.5	47.5	38	7X7	

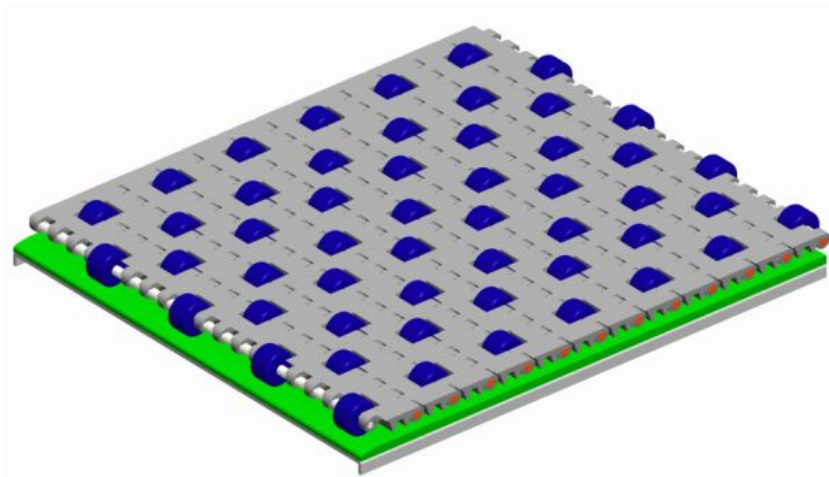
Support Mode of Insert Roller

- Accumulation



Wear Strips are placed between rollers for accumulation.

- Multi-Speed



Wear Strips are placed under the rollers and the speed of products on the belt will be 2 times of the belt speed.