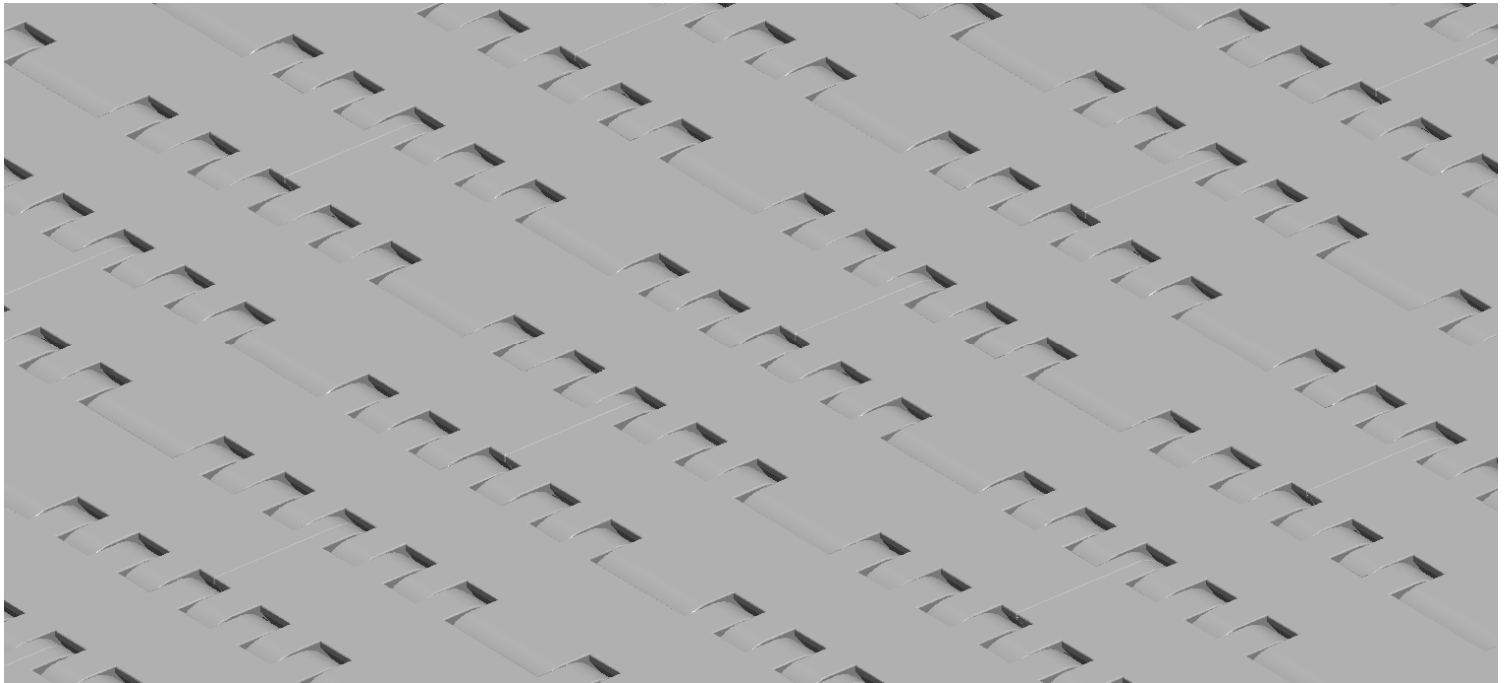


HS-201A Technical Data Sheet



Pitch: 25.4mm Minimum Width: 150mm Open Area: 0% Approved: FDA Rod: Ø 6mm Flight: No Side Guard: No Curve: No	
--	--

Data

Belt Material	Belt Strength			Temperature		Belt Weight (Kg/M ²)
	Straight		Curve	°C (min.)	°C (max.)	
	Kg/M(BW)	N/M(BW)				
Polypropylene	1270	12700	--	1	100	6.8
Polyethylene	1210	12100	--	-60	60	7.0
Acetal	1680	16800	--	-40	80	9.9
Nylon	1440	14400	--	1	180	8.6

BW – Belt Width

Color Table

Polypropylene					Polyethylene					Acetal					Nylon				
W	G	N	DB	B	W	G	N	DB	B	W	G	N	DB	B	W	G	N	DB	B
●	●						●			●				●				●	

W-White, G-Gray, N-Nature, DB-Dark brown, B-Blue

Friction Table

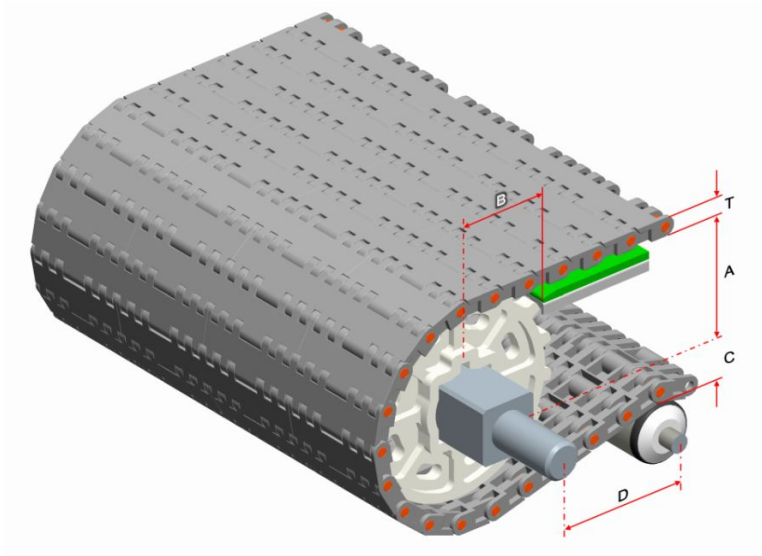
Belt Material	Friction Wear strips & Products							
	UHMW	HDPE	Steel	Glass	SUS	Plastic	Cardboard	Aluminum
Polypropylene	0.32	0.24	0.15	0.09	0.13	0.08	0.15	0.25
Polyethylene	0.13	0.11	0.26	0.19	0.31	0.16	0.21	0.41
Acetal	0.11	0.09	0.27	0.16	0.26	0.15	0.19	0.28
Nylon	0.18	0.13	0.25	0.16	0.26	0.16	0.19	0.27

SUS – Stainless Steel

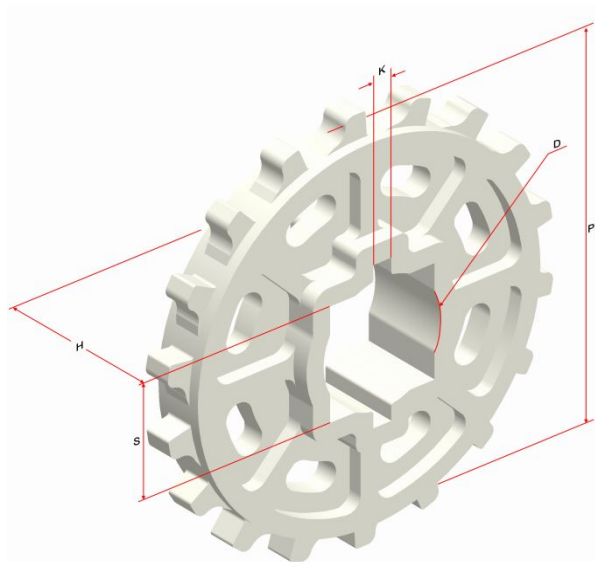
Equivalent type with other Brand

Brand Name	Intralox	UNI	Rexnord	MCC	Habasit	KVP
Series & Type	100	SNB	7705		M2400	610
	1600/1650	CNB	1000		M2500	208CL
	200	OPB	1010		M2600	20835
	880/850	L-SNB	7700			13610

The above content is only for reference.



Conveyor Frame Dimensions					Unit : mm
No. Teeth	A (Min.)	B (Min.)	C (Max.)	D (Min.)	T
8	30	43.3	70	250	13
18	68	45	78	250	
24	91.5	55	85	250	



Sprocket Dimensions					Unit: mm
No. Teeth	PD	S	D	H	K
18	145	38.5/40.5	40.5/45.5	30	7X7