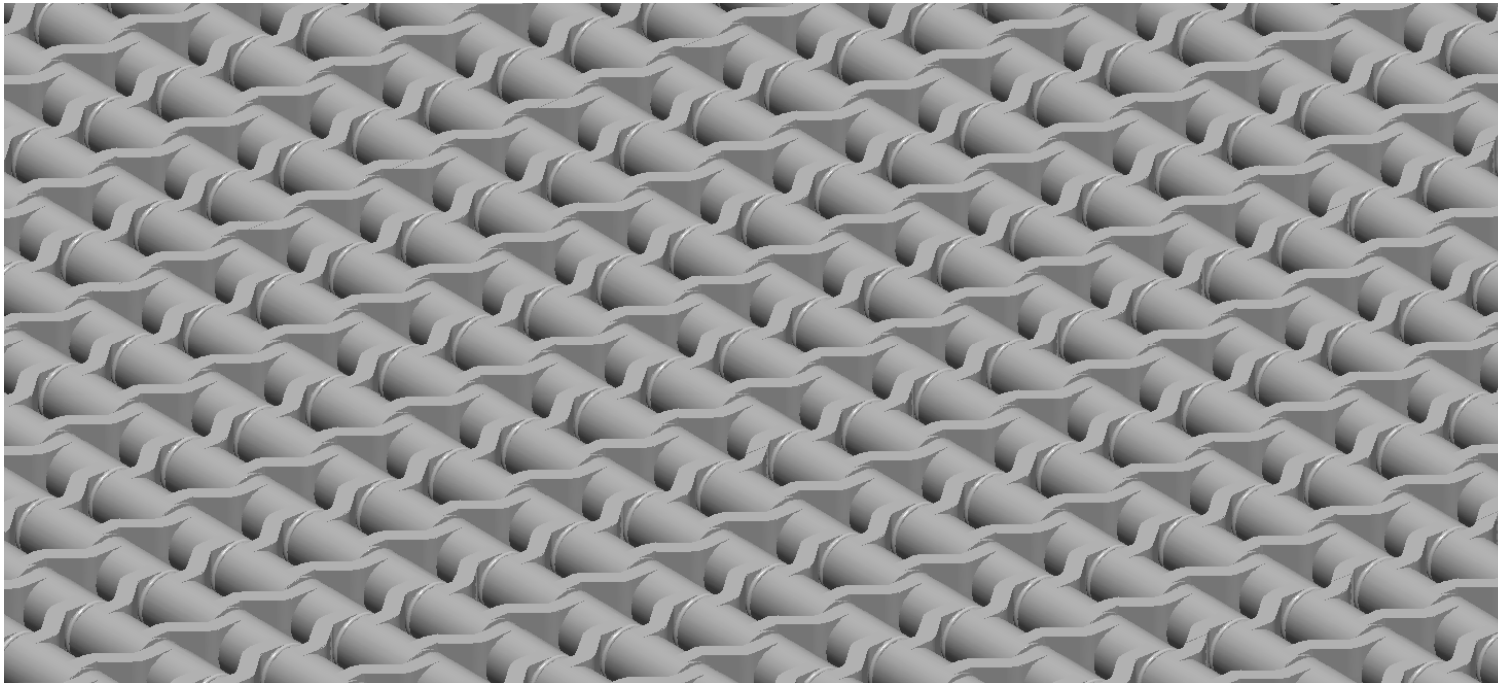


HS-400B Technical Data Sheet



Pitch: 10mm Minimum Width: 160mm Open Area: 24% Approved: FDA Rod: Non Flight: No Side Guard: No Curve : No	
--	--

Data

Belt Material	Belt Strength			Temperature		Belt Weight (Kg/M ²)
	Straight		Curve	°C (min.)	°C (max.)	
	Kg/M(BW)	N/M(BW)				
Polypropylene	800	8000	--	1	100	3.8
Polyethylene	465	4650	--	-60	60	3.9

BW – Belt Width

Color Table

Polypropylene					Polyethylene					Acetal					Nylon				
W	G	N	DB	B	W	G	N	DB	B	W	G	N	DB	B	W	G	N	DB	B
●				●	●				●	●				●	●				●

W-White, G-Gray, N-Nature, DB-Dark brown, B-Blue

Friction Table

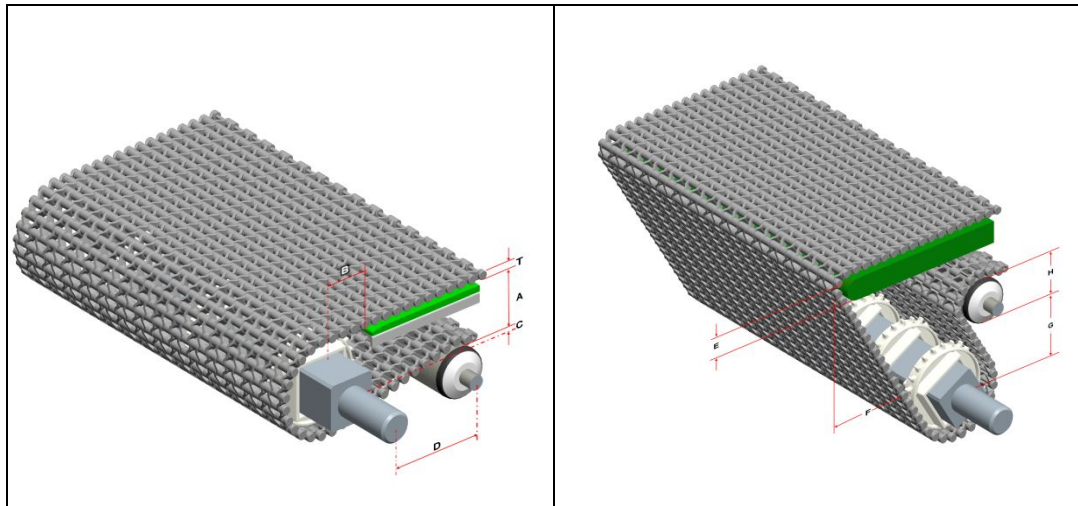
Belt Material	Friction Wear strips & Products							
	UHMW	HDPE	Steel	Glass	SUS	Plastic	Cardboard	Aluminum
Polypropylene	0.32	0.24	0.15	0.09	0.13	0.08	0.15	0.25
Polyethylene	0.13	0.11	0.26	0.19	0.31	0.16	0.21	0.41
Acetal	0.11	0.09	0.27	0.16	0.26	0.15	0.19	0.28
Nylon	0.18	0.13	0.25	0.16	0.26	0.16	0.19	0.27

SUS – Stainless Steel

Equivalent type with other Brand

Brand Name	Intralox	UNI	Rexnord	MCC	Habasit	KVP
Series & Type	1500				605 ST	

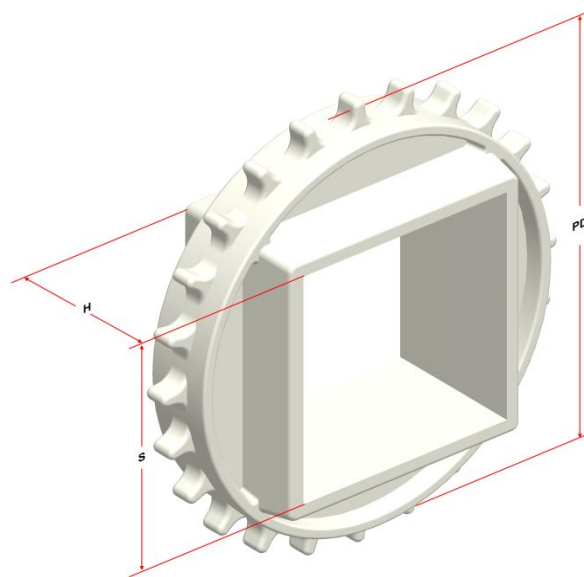
The above content is only for reference.



Conveyor Frame Dimensions

Unit : mm

No. Teeth	A (Min.)	B (Min.)	C (Max.)	D (Min.)	E (Min.)	H (Min.)	G (Min.)	F (Min.)	T
12	16	21	22	100	Ø 20	Ø 50	100	60	7.0
24	35	38	41	150	Ø 20	Ø 50	120	70	



Sprocket Dimensions						Unit: mm
No. Teeth	PD	S	D	H	K	
8	26	9.5	--	8.5	--	
12	38.5	12.5	--	11	--	
24	76.5	38.5/40.5	25.5	25.5	8X7	